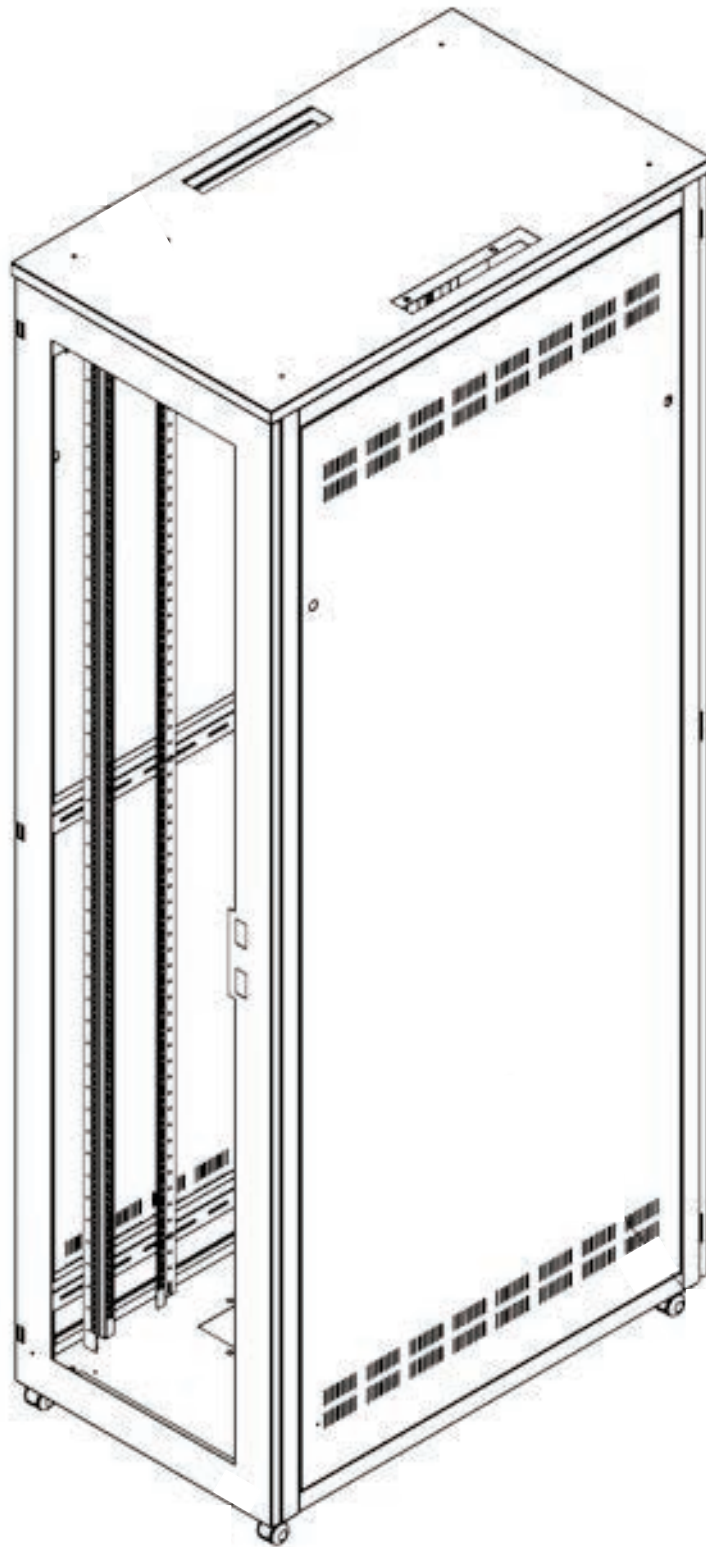
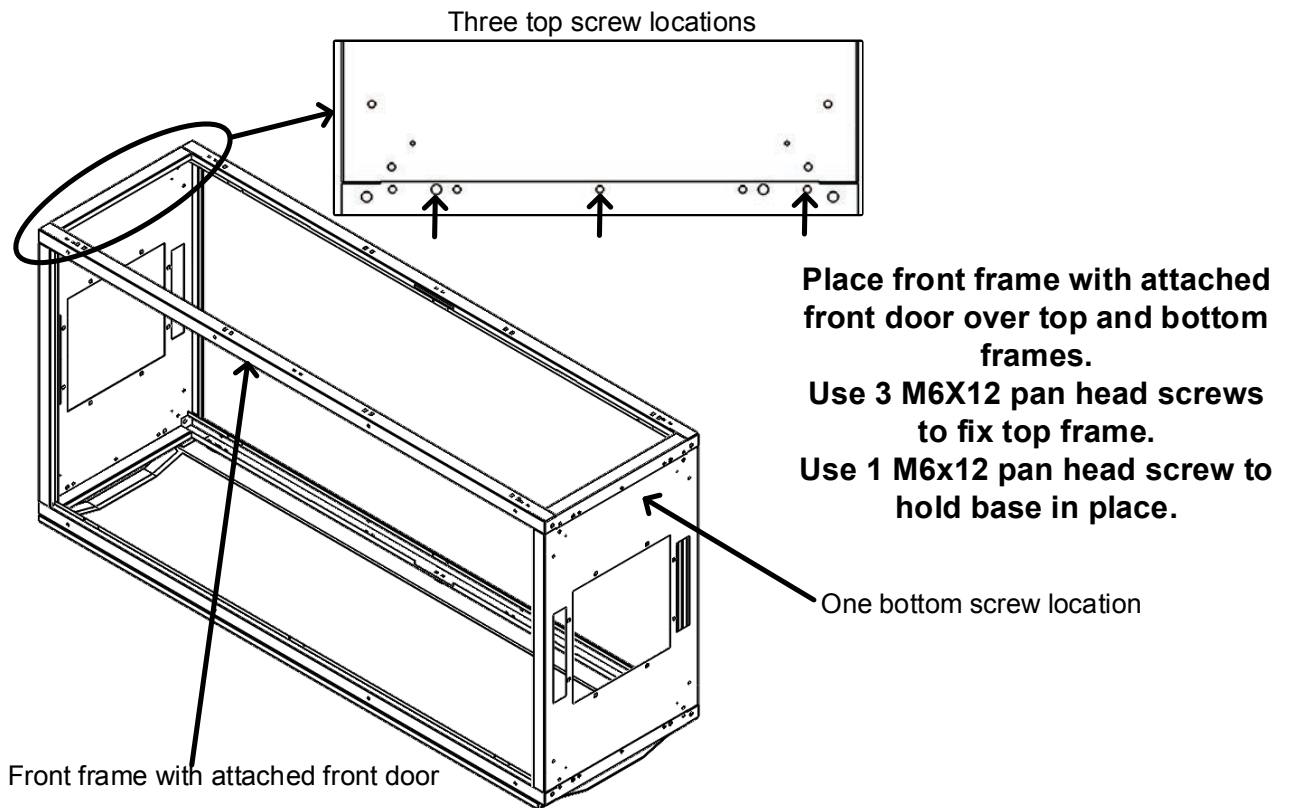
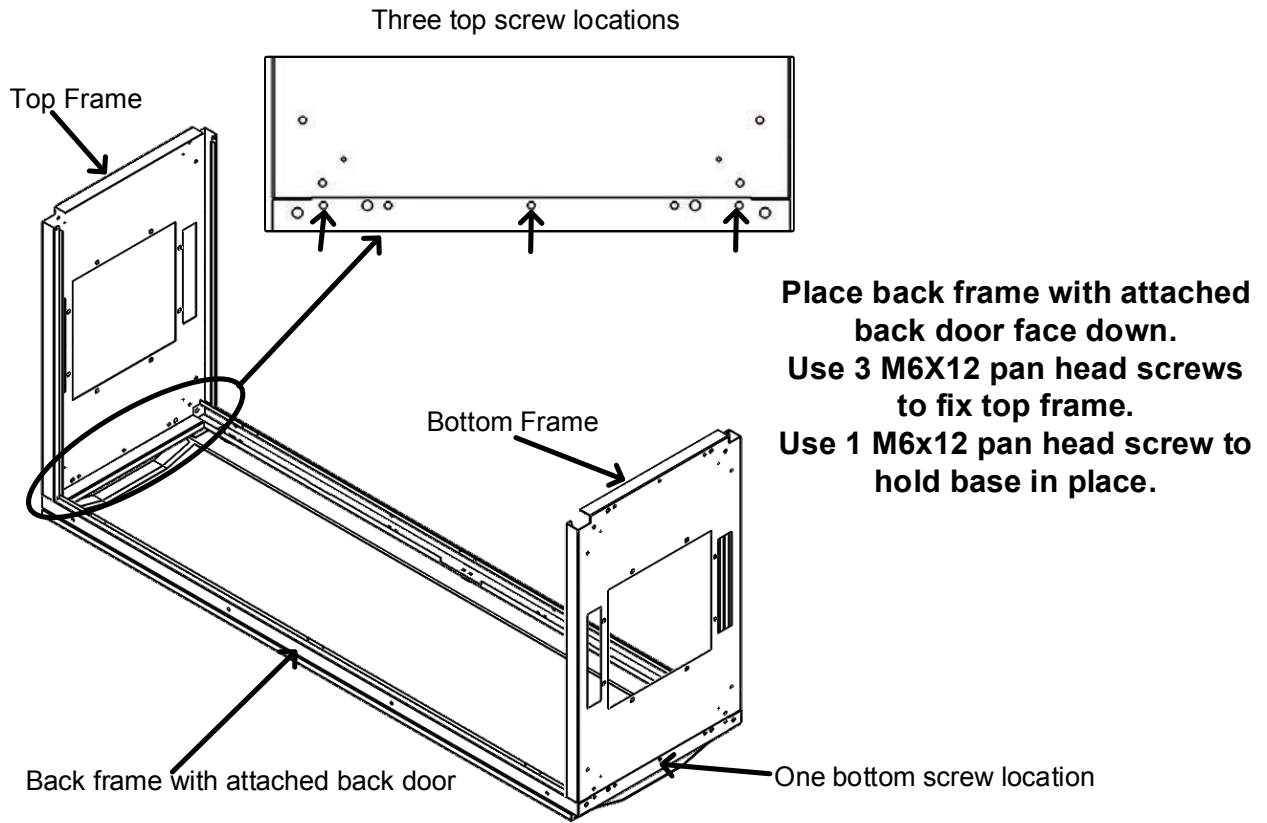


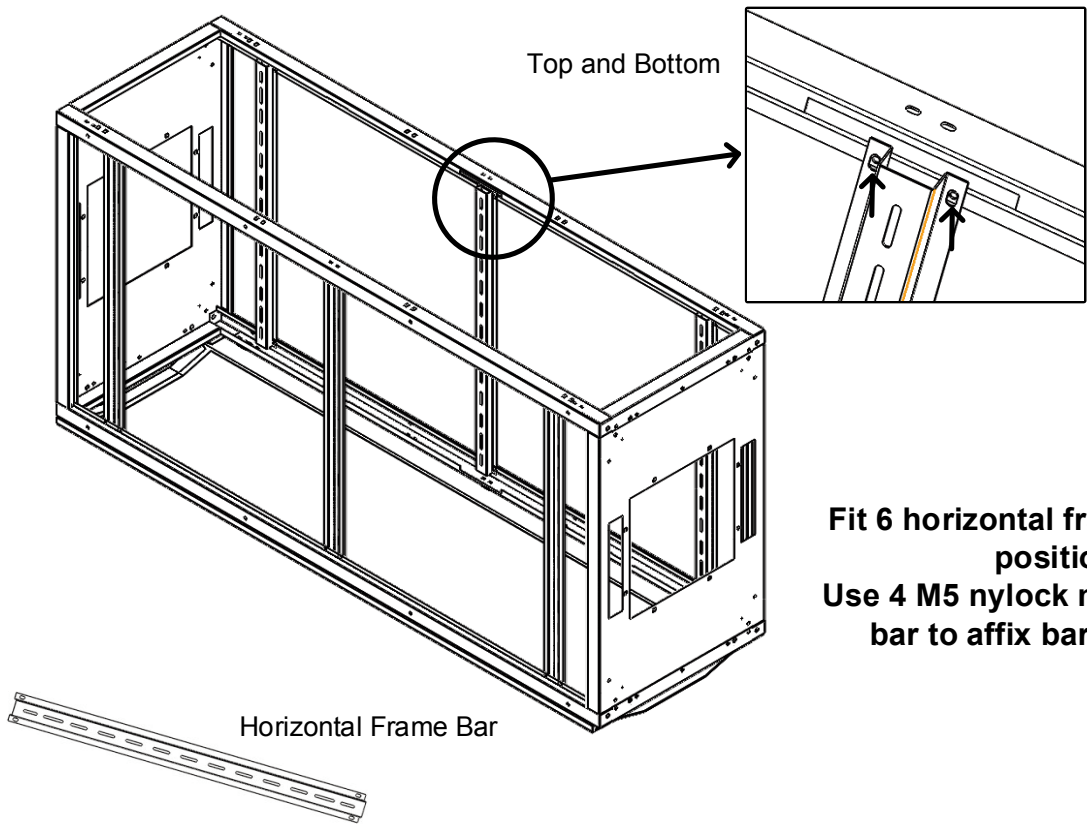
# DataKeep 600mm Flat Pack Assembly Instructions



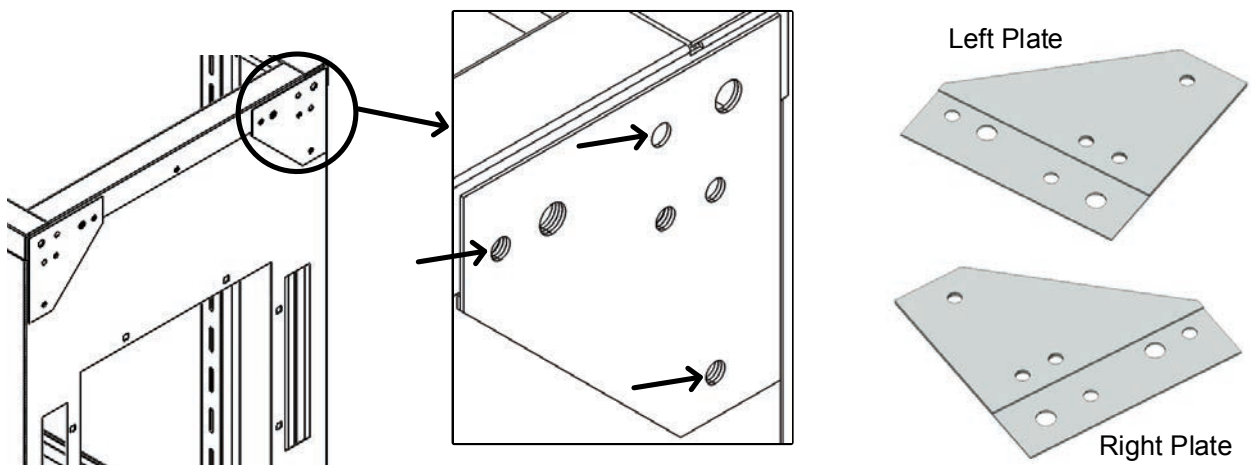
**SIEMON™**

[www.siemon.com](http://www.siemon.com)

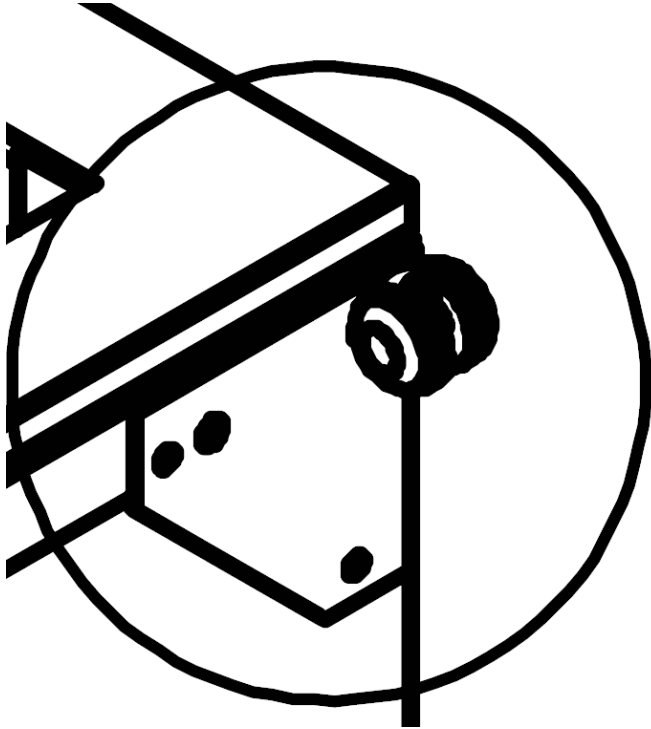




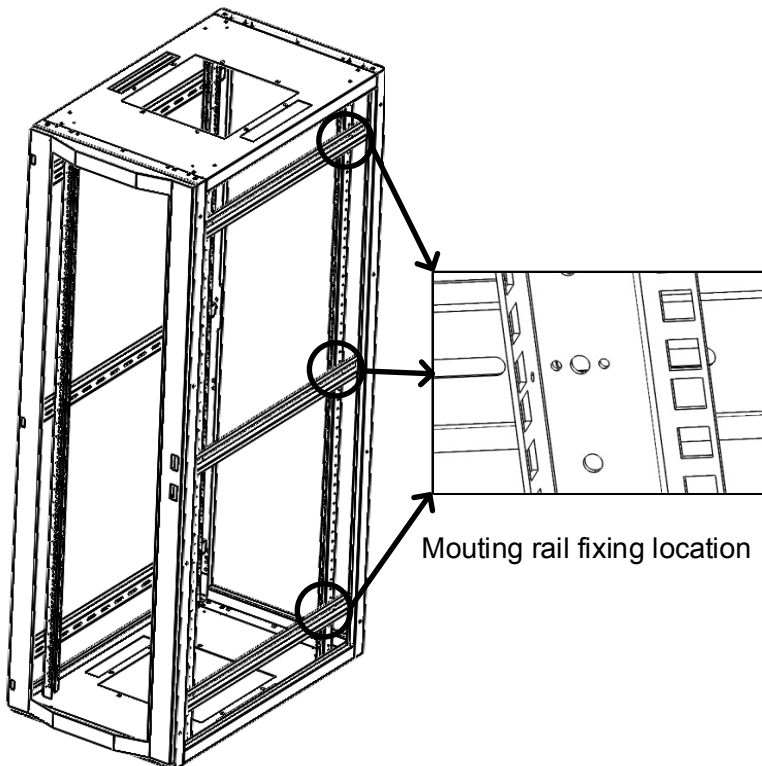
**Fit 6 horizontal frame bars into position. Use 4 M5 nylock nuts per frame bar to affix bars to frame.**



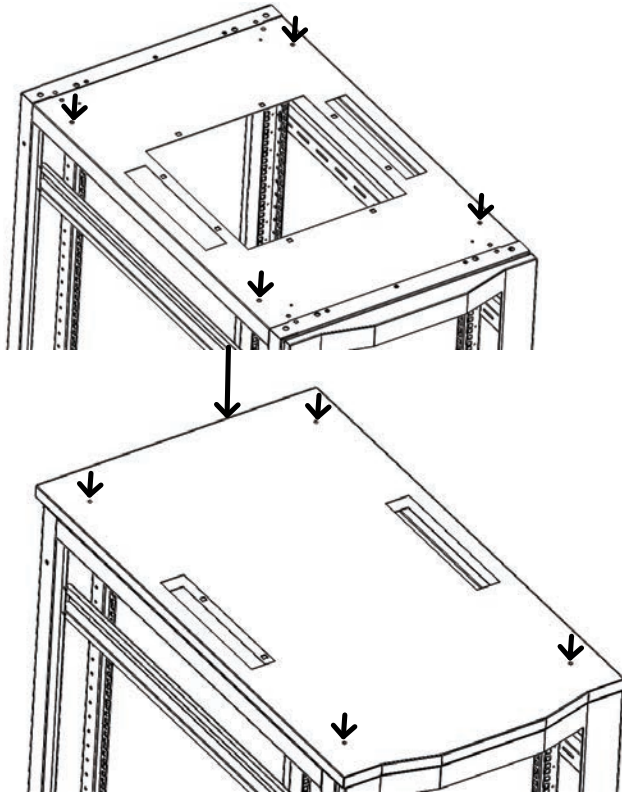
**Fit castor plates on bottom frame, 2 left hand and 2 right hand. Note difference between left and right hand castor plates. Use 12 M6x12 pan head screws, leaving them loose.**



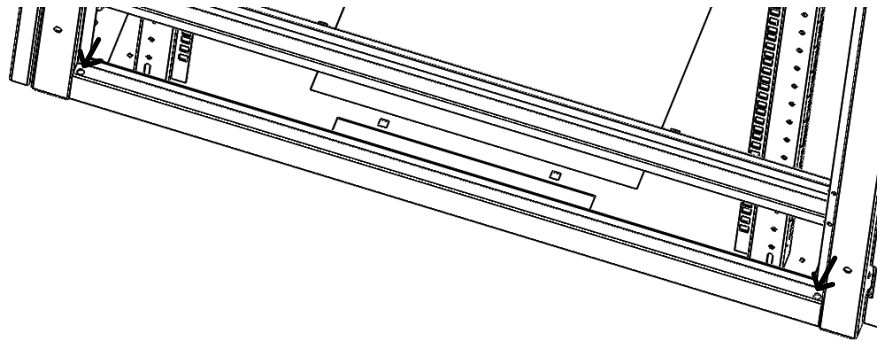
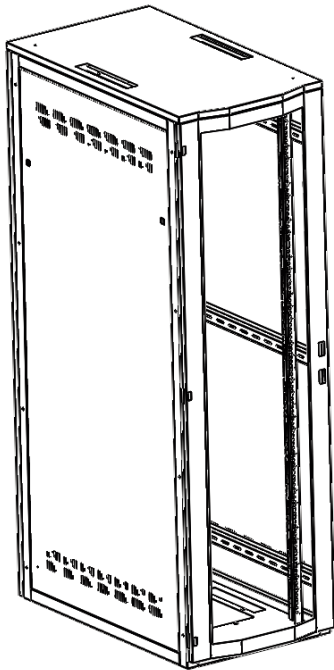
If required, fit 4 castors to the base frame with castor plate install using on M10 washer and M10x30 cap screw each. Tighten castor plate screws from previous step.



Stand cabinet up and fit mounting rails to stretcher bars using 3 M6x12 pan head screws and 3 M6 serrated nuts each.



**Line up 4 plastic spacers with  
wholes noted in top image.  
Affix lid above spacers using 4  
M6-50 pan head screws.**



**Line up side panel pins in base  
and push panel flush with  
cabinet.  
Turn cam locks to lock panels  
to cabinet using key.**

