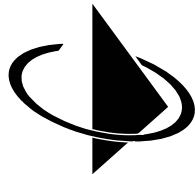
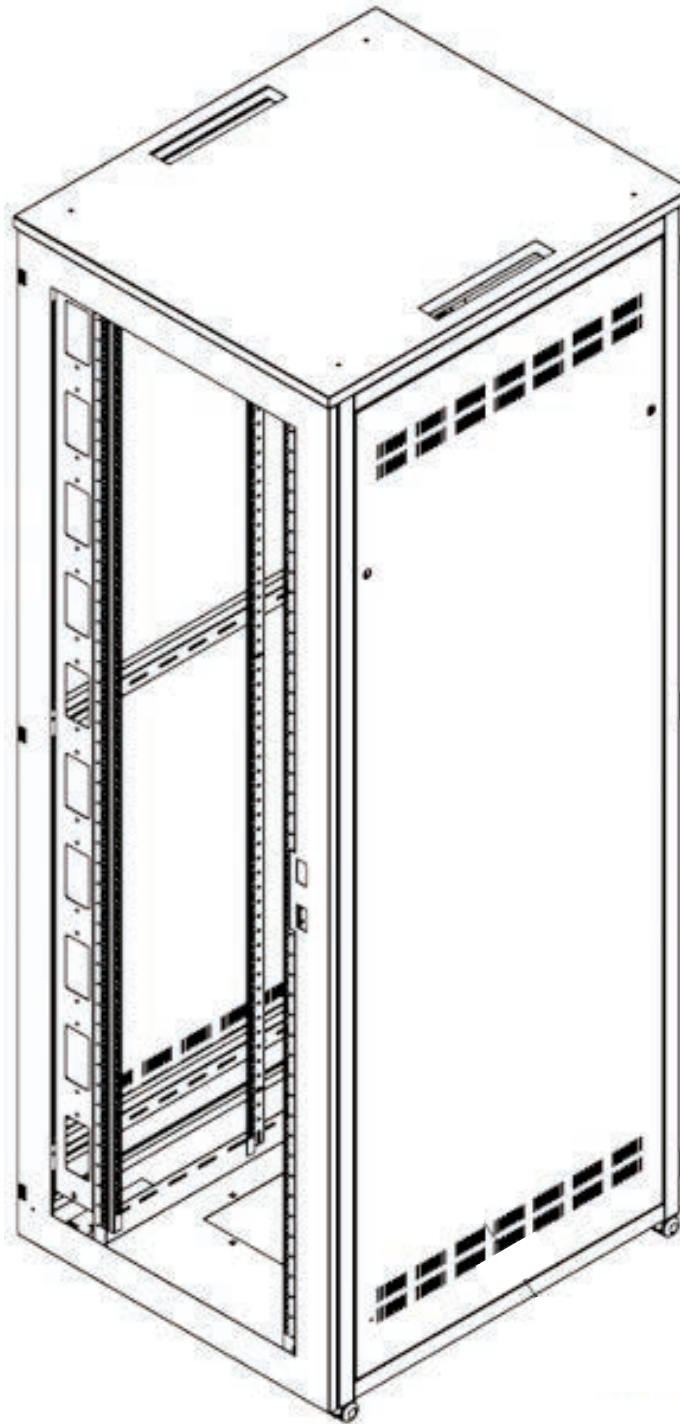
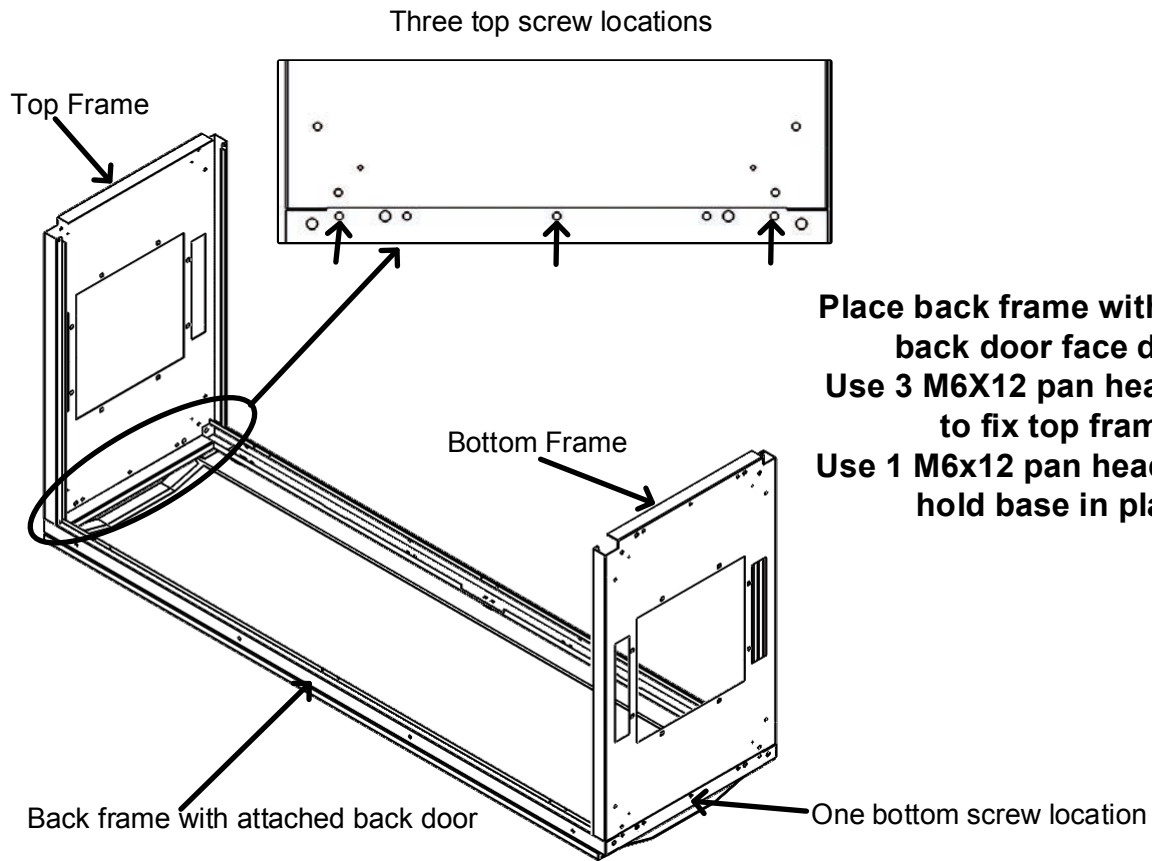


DataKeep 800mm Flat Pack Assembly Instructions

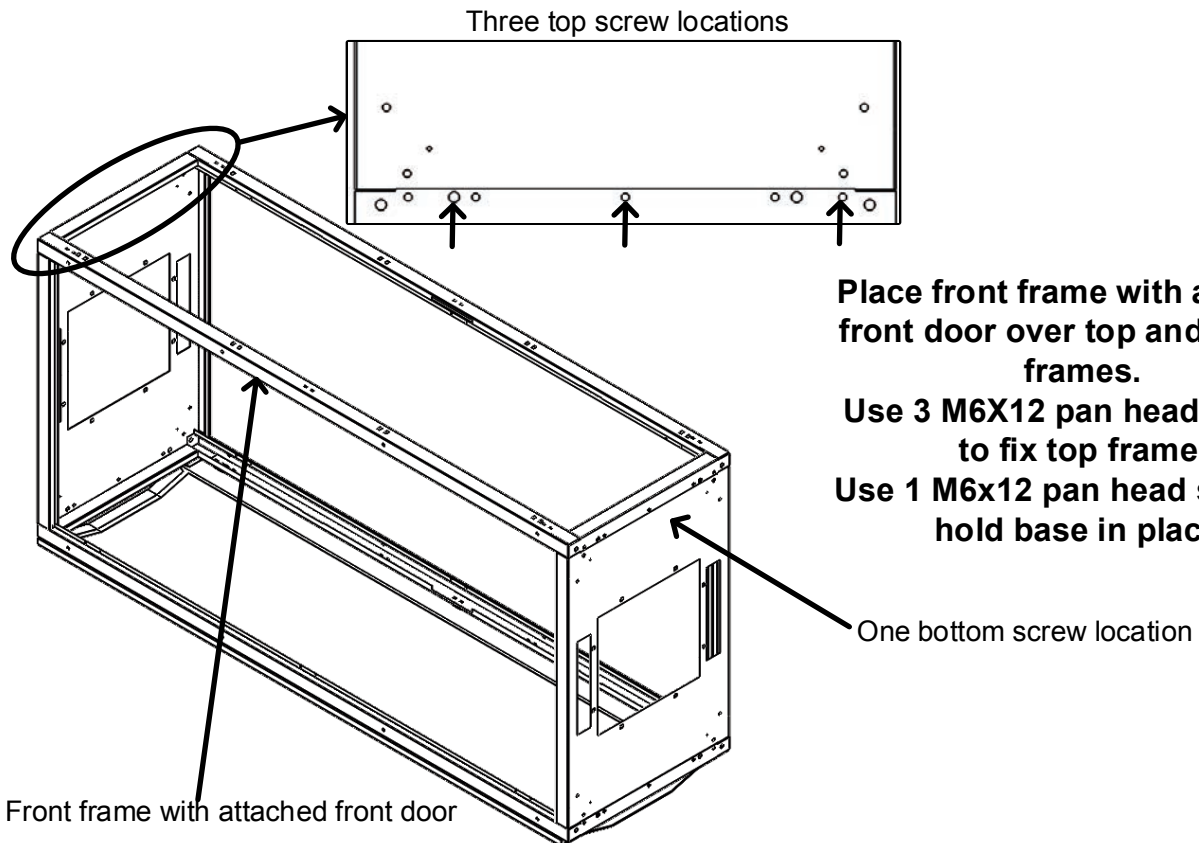


SIEMON™

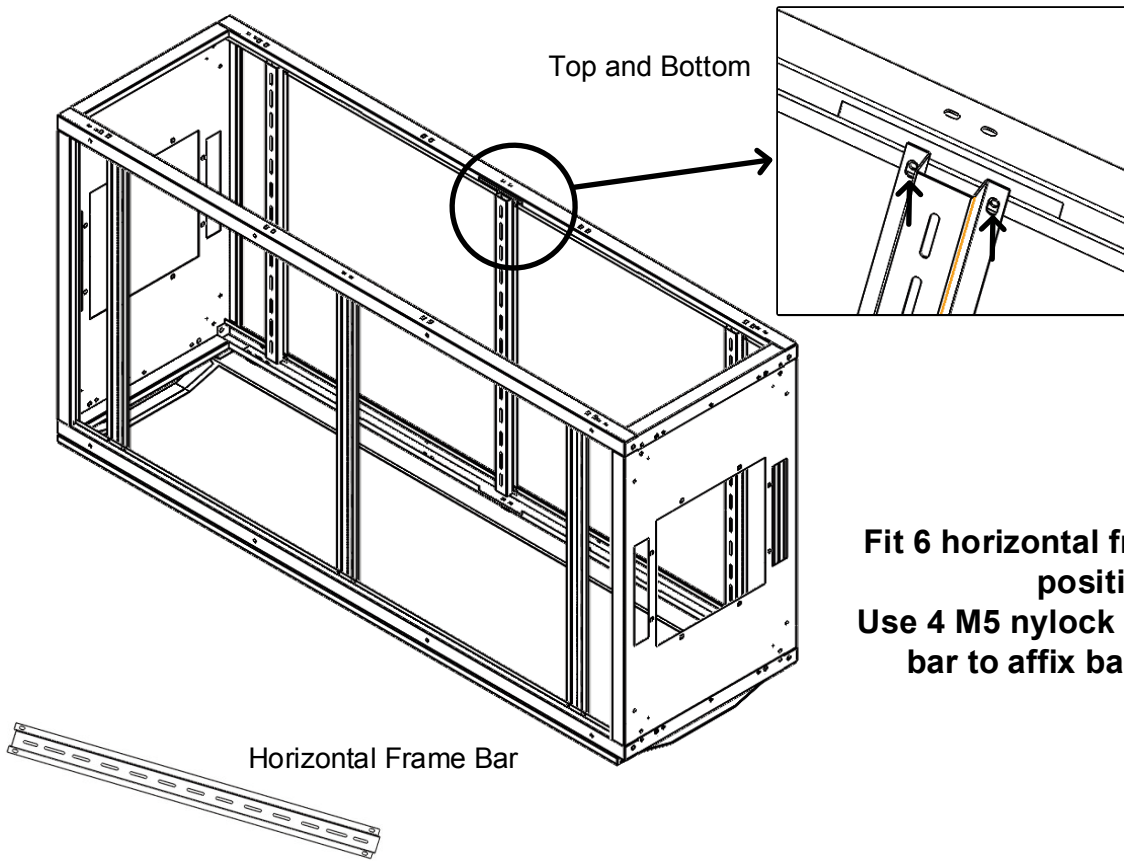
www.siemon.com



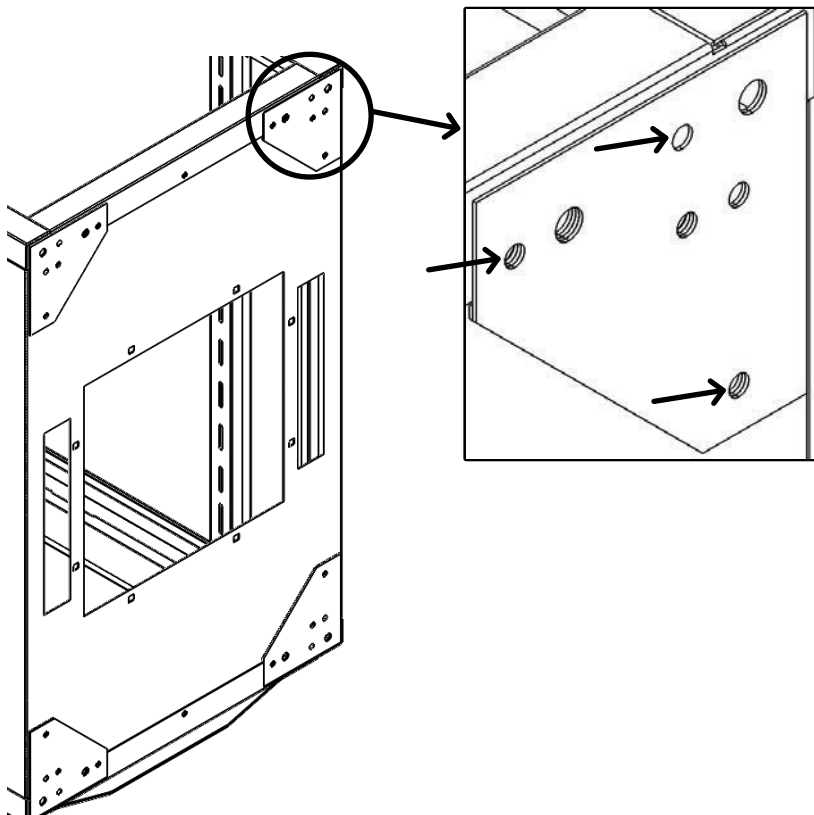
Place back frame with attached back door face down.
Use 3 M6X12 pan head screws to fix top frame.
Use 1 M6x12 pan head screw to hold base in place.



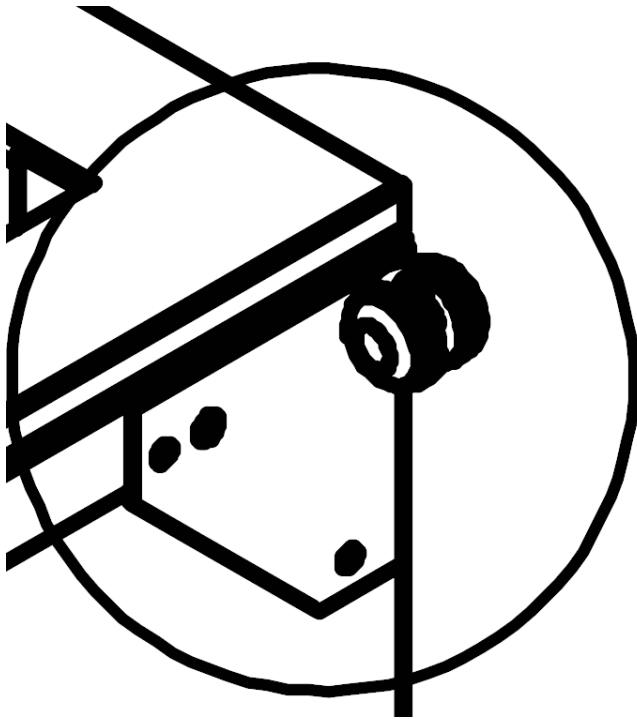
Place front frame with attached front door over top and bottom frames.
Use 3 M6X12 pan head screws to fix top frame.
Use 1 M6x12 pan head screw to hold base in place.



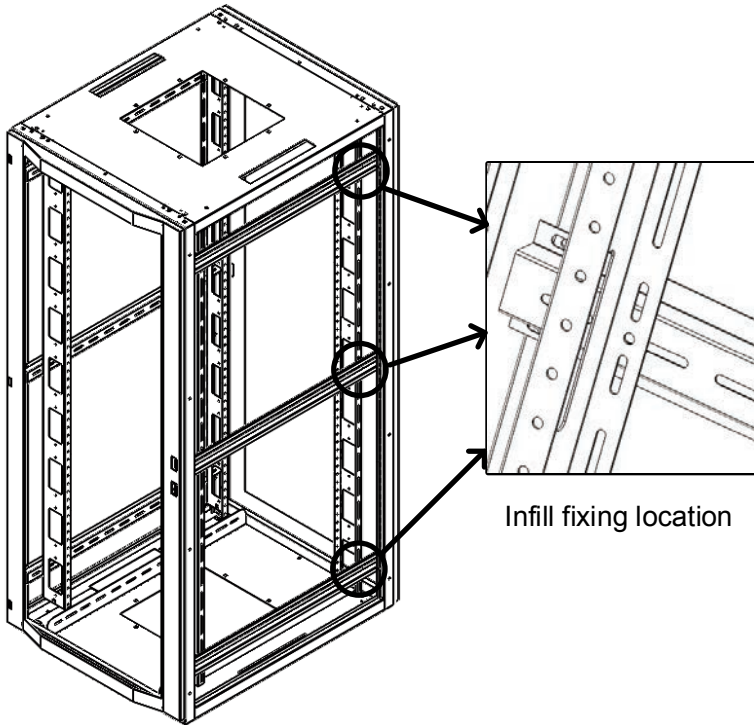
Fit 6 horizontal frame bars into position. Use 4 M5 nylock nuts per frame bar to affix bars to frame.



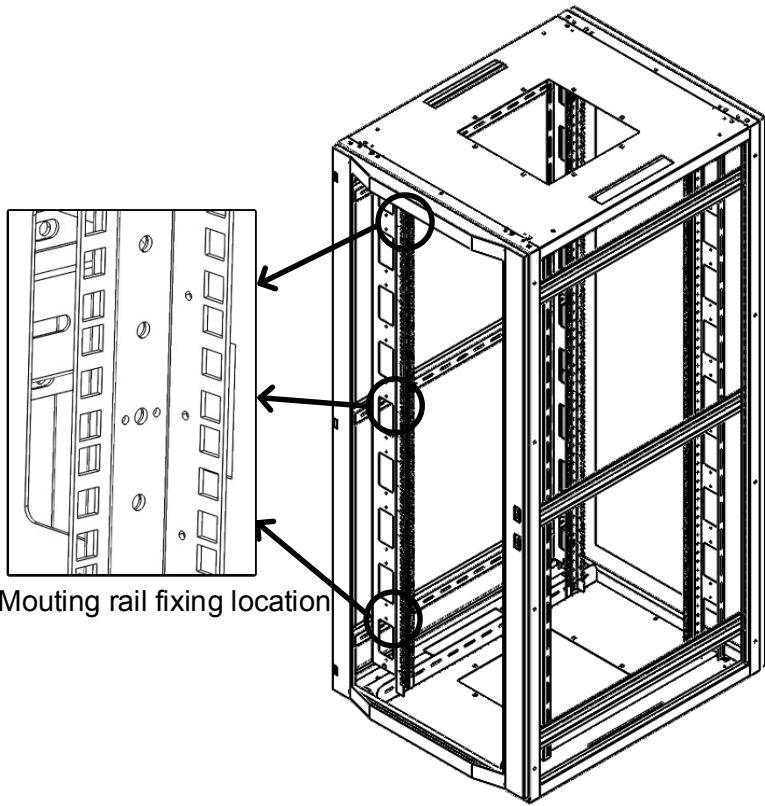
Fit castor plates on bottom frame, 2 left hand and 2 right hand. Note difference between left and right hand castor plates. Use 12 M6x12 pan head screws, leaving them loose.



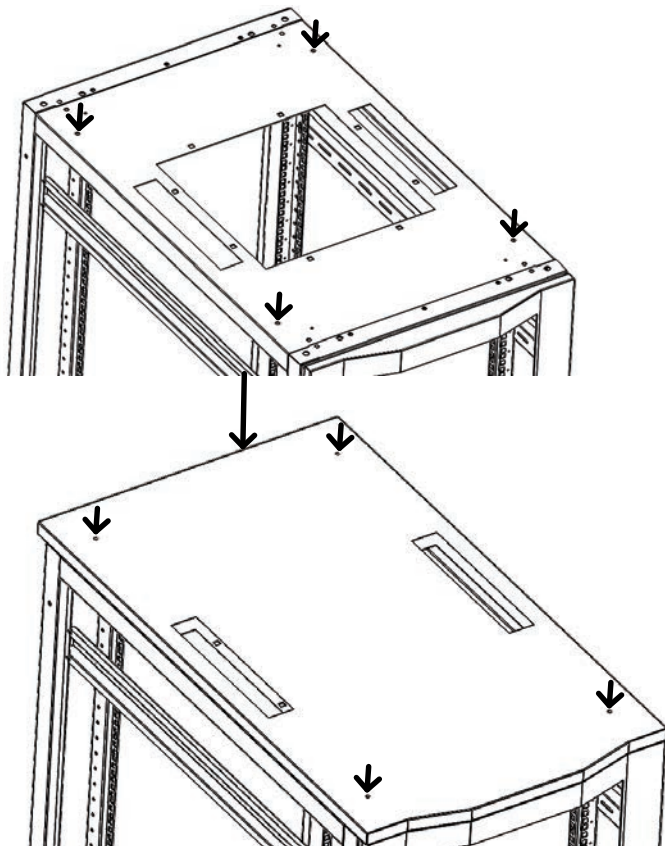
If required, fit 4 castors to the base frame with castor plate install using on M10 washer and M10x30 cap screw each. Tighten castor plate screws from previous step.



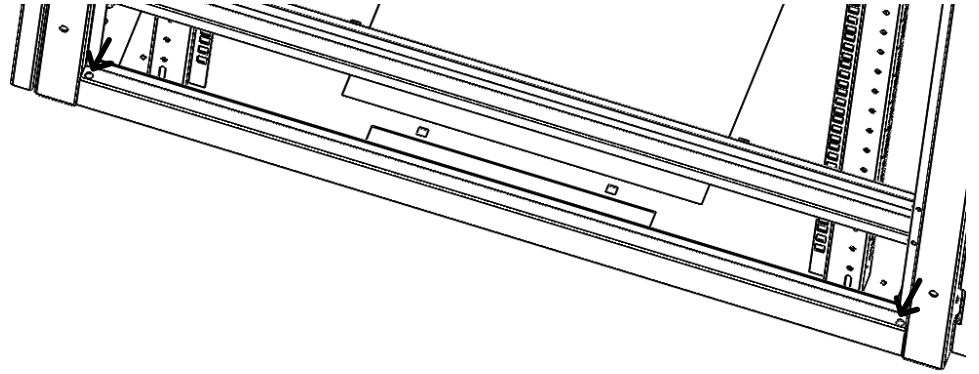
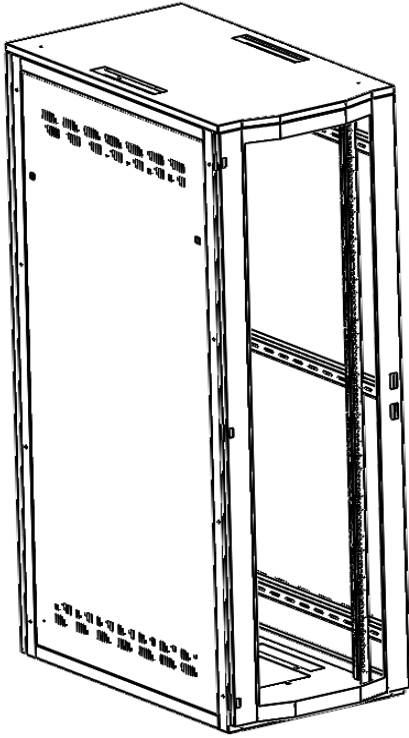
Stand cabinet up and fit infill panels to stretcher bars using 3 M6x12 pan head screws and 3 M6 serrated nuts each.



Stand cabinet up and fit mounting rails to stretcher bars using 3 M6x12 pan head screws and 3 M6 serrated nuts each.



Line up 4 plastic spacers with wholes noted in top image. Affix lid above spacers using 4 M6-50 pan head screws.



**Line up side panel pins in base
and push panel flush with
cabinet.**

**Turn cam locks to lock panels
to cabinet using key.**

