

RS-07 Rack System Assembly Instructions

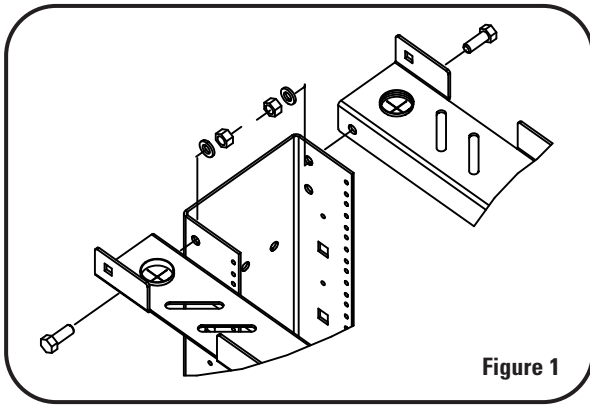


Figure 1

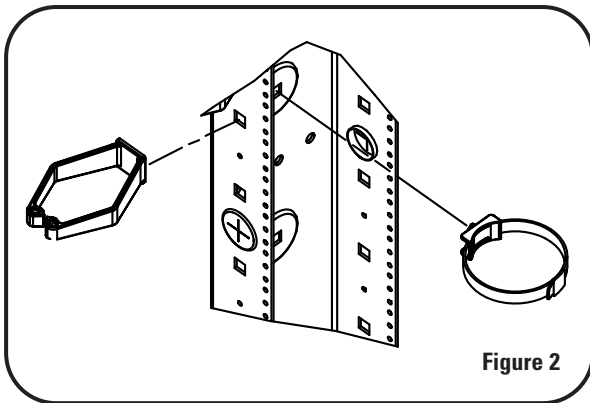


Figure 2

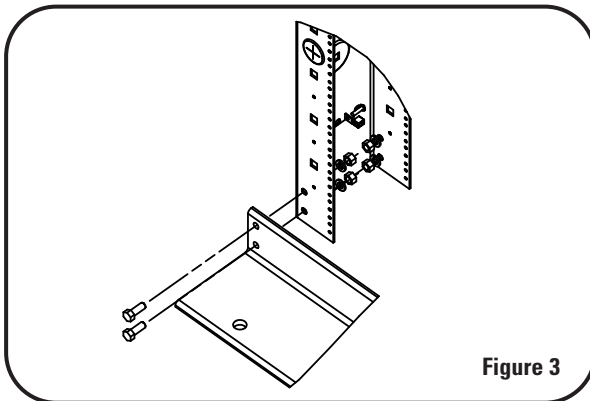
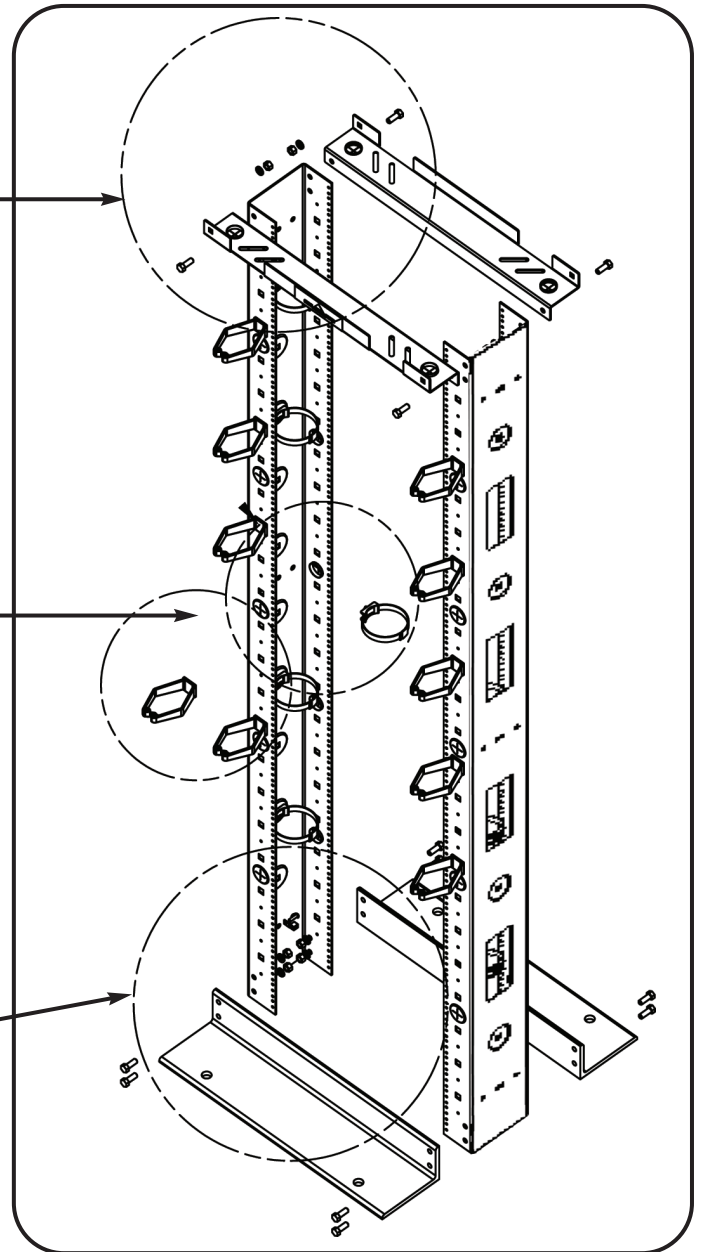


Figure 3



1 Assemble the two base plates to the two side channels with the 3/8-16 x 1 bolts, lock washers and nuts (four per base plate) as shown in Figure 3. (The two side channels are identical - 5/8 x 5/8 x 1/2 ANSI/EIA-310-D hole tap pattern front and back rails).

2 Mount the ground lug assembly to rack using the 12-24 x .75 screw provided as shown in Figure 3.

3 Assemble the two horizontal support brackets to the side channels with the 3/8-16 x 1 bolts, lock washers and nuts (two per bracket) as shown in Figure 1.

4 Slide the desired number of hook and loop straps (10 provided) into the slots of the hook and loop cable managers (10 provided) as shown in Figure 2.

5 Install the desired number of hook and loop cable managers in the desired locations on the inside of the side rails by placing the square end of the hook and loop cable into the square hole and turning the hook and loop cable manager 45 degrees as shown in Figure 2.

6 Install the ten cable hangers provided in the desired locations by placing the square end of the cable hanger into the square hole and turning the cable hanger 45 degrees to the desired orientation (horizontal or vertical) as shown in Figure 2.



**Mounting instructions
on other side.**

RS-07-W Wall Mount Instructions

1 Assemble the two horizontal support brackets to the top and bottom of the side channels with the 3/8-16 x 1 bolts, lockwashers and nuts. Slide the wall mount brackets between the two vertical channels and attach each bracket with two 3/8-16 x 1 bolts, lockwashers and nuts.

Note: 7 foot version shown.

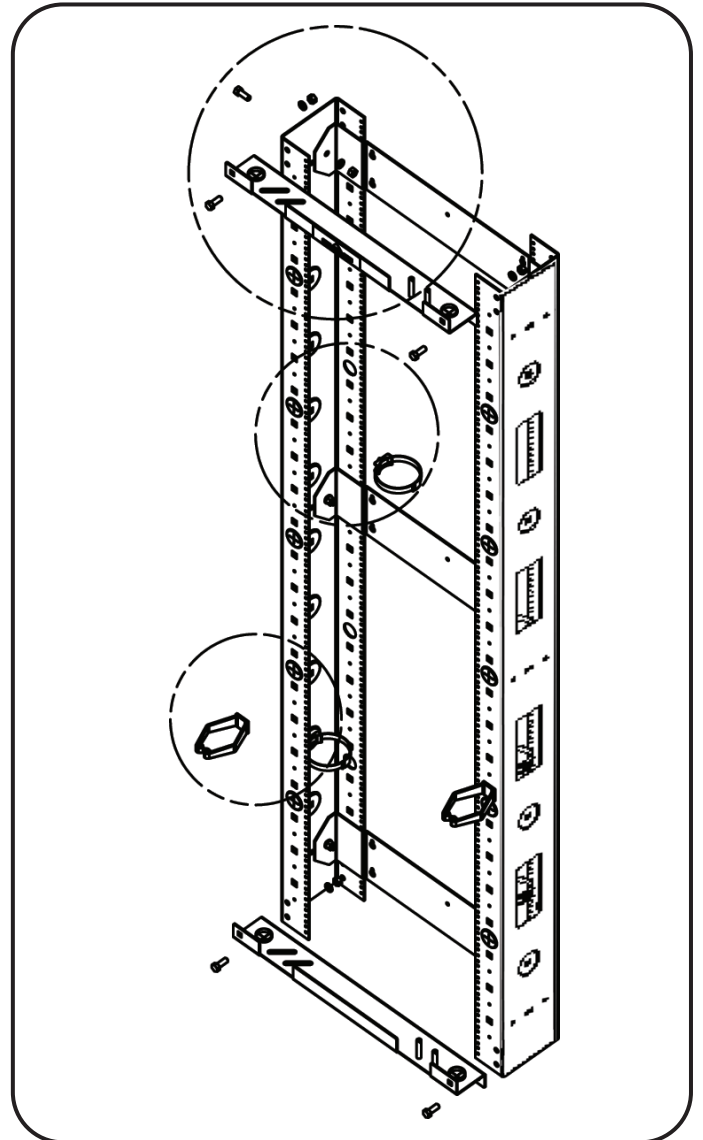
2 Temporarily affix the rack against the wall in the desired location. Mark the mounting screw locations on the wall at the two keyholes in the upper support bracket. Rack can be removed before driving screws into wall.

Note: Mounting holes are spaced for 16 inch on center studs where plywood back-board is not used.

3 Drive the mounting screws 3/4 of the way into the wall at the locations marked. Hang the rack on the mounting screws and fully tighten. Drive additional mounting screws into the remaining keyholes of the wall mount brackets.

4 For added safety, another screw can be driven into the locking hole at the center of the wall mount bracket to prevent the rack from accidentally riding off the mounting screws.

Install the 1/4 turn cable managers into the desired locations by twisting into place at any of the 1/2 inch square openings.



Mounting Instructions for Concrete Floor (hardware not included)

1. Place the rack where it is to be permanently located and drill a 5/8" diameter by 2-1/2" deep hole through each of the four (4) mounting holes in the base.
2. Insert a 3/8"-16 Concrete Anchor into each hole.
3. Screw 3/8"-16 x 1-1/2" studs into the anchors from the top until they protrude approximately 1/2" beyond bottom edge.
4. Add to each stud a 3/8" x 1-3/4" fender washer, 3/8" split lock washer, and a 3/8"-16 hex nut.
5. Tighten down all nuts securely.

Mounting Instructions for Wood Floor (hardware not included)

1. Place the rack where it is to be permanently located and drill a 1/4" diameter by 1-1/2" deep hole through each of the four (4) mounting holes in the base.
2. Using a 3/8"-7 x 2" Hex-Head Lag screw, place a 3/8" x 1-3/4" fender washer and 3/8" split lock washer on each lag screw.
3. Screw one loaded lag screw into each of the four (4) pre-drilled holes.
4. Tighten down all lag screws securely.

Global Headquarters
Watertown, Connecticut USA
Tel: (1) 866-548-5814

For a complete listing of our global offices visit our web site

