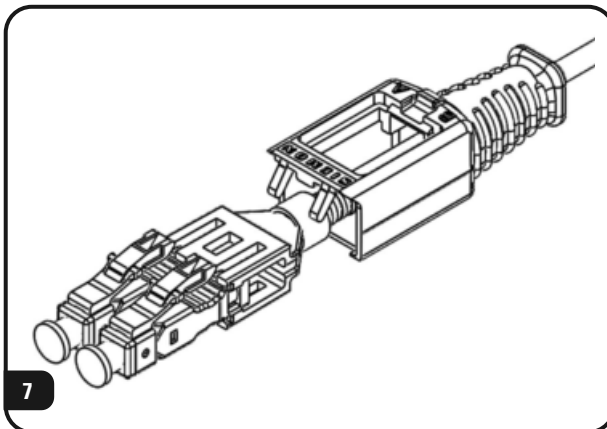
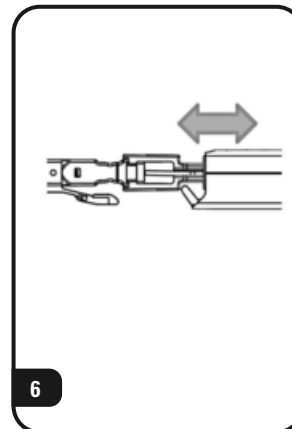
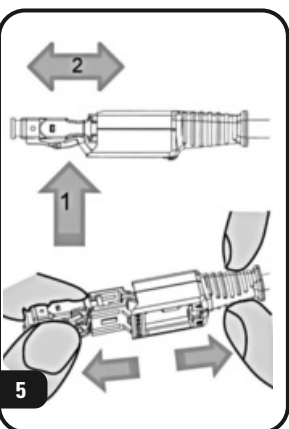
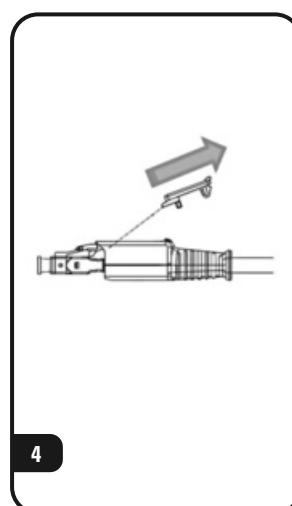
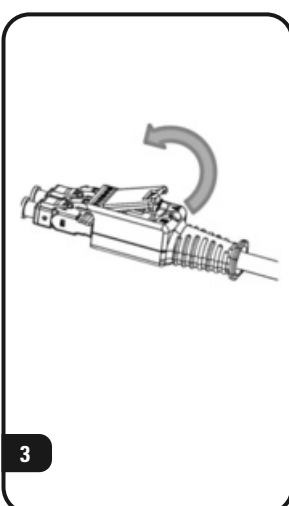
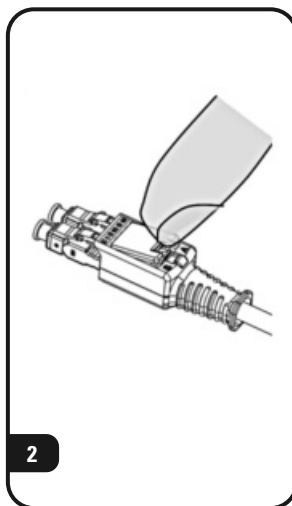
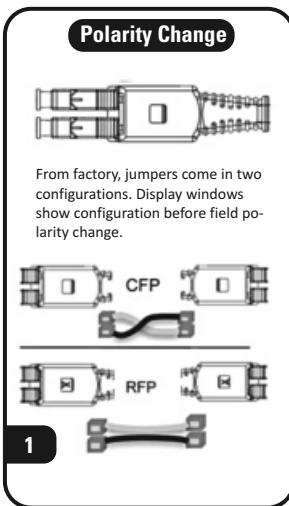
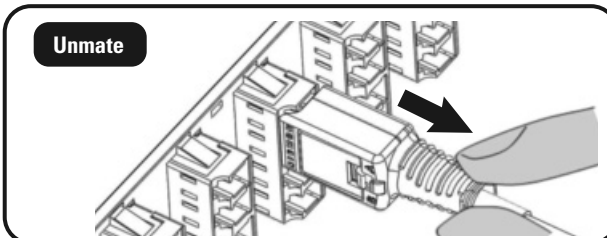
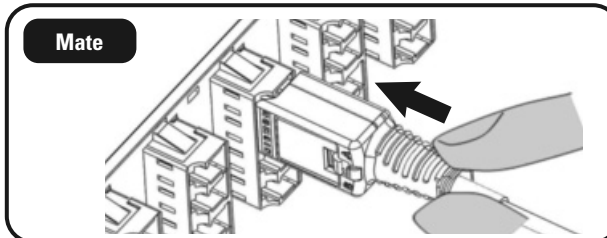
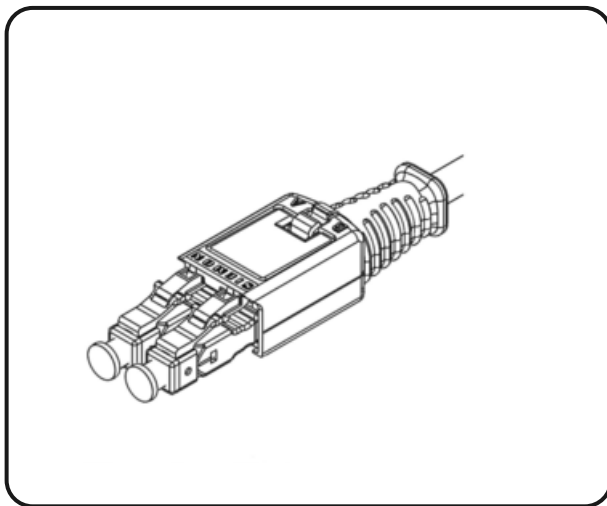
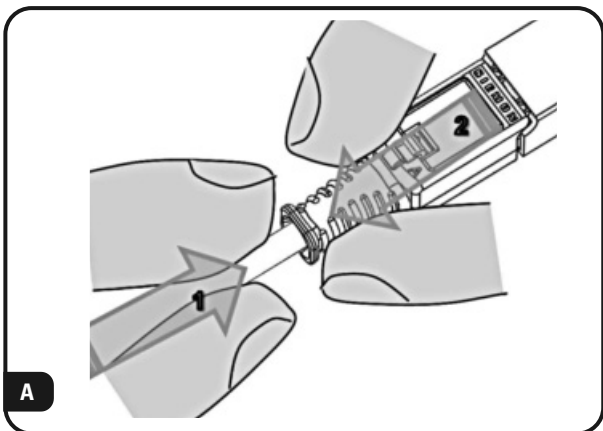
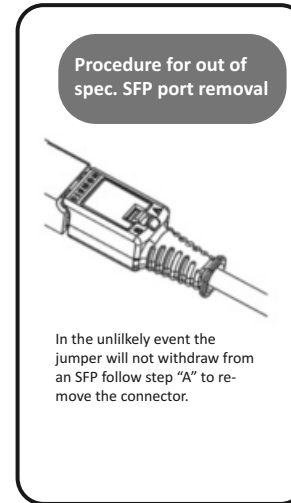
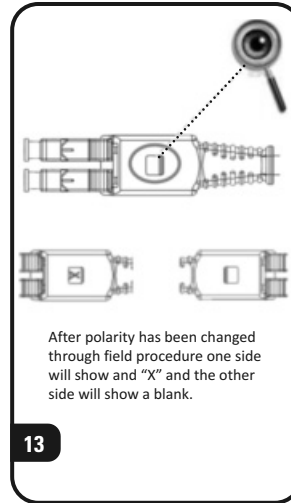
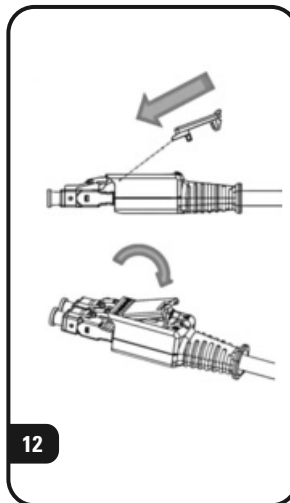
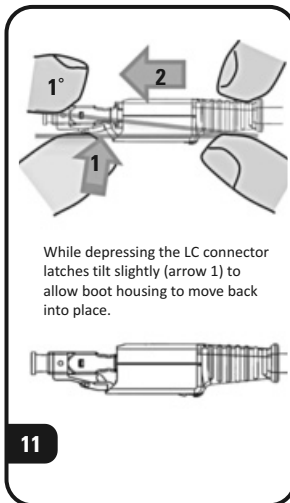
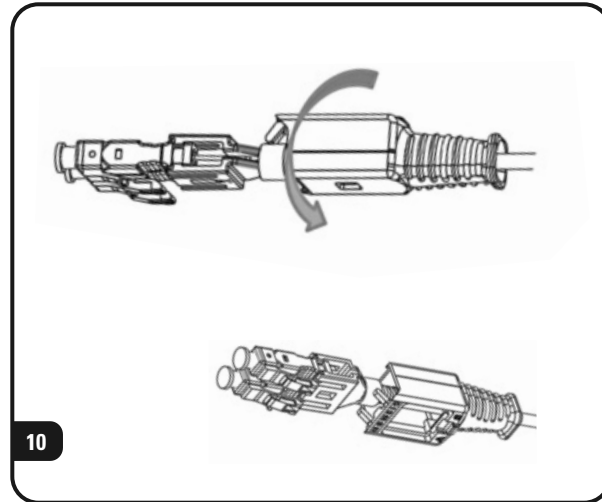
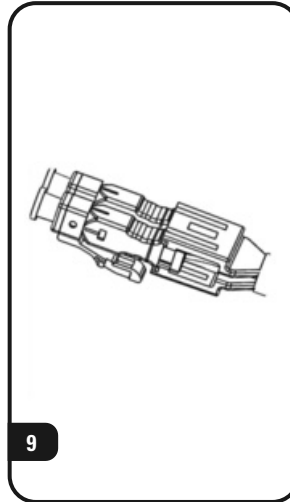
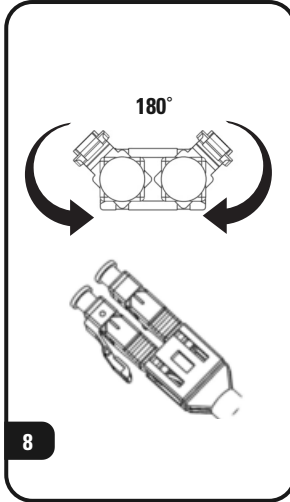


LC Bladepatch Instructions



LC Bladepatch Instructions



To assist safe installations, comply with the following:

- Use caution when installing or modifying telecommunications circuits.
- Never touch uninsulated wire terminals unless the circuit has been disconnected.
- Never install this device in a wet location.
- Never install wiring during a lightning storm

For a complete listing of our global offices visit our web site

