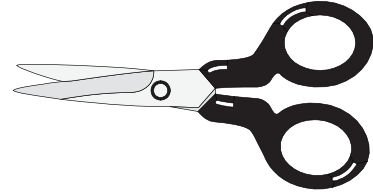
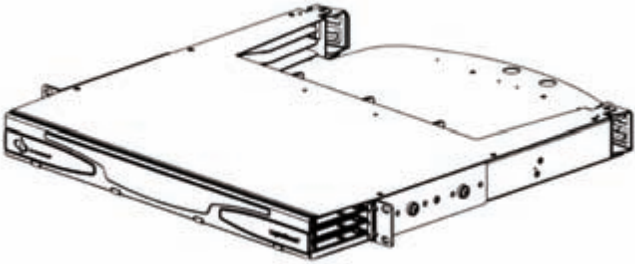
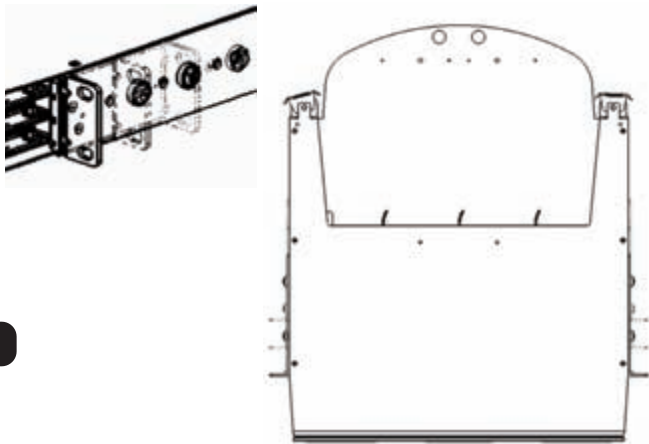


LightStack™ Ultra High Density Plug & Play System

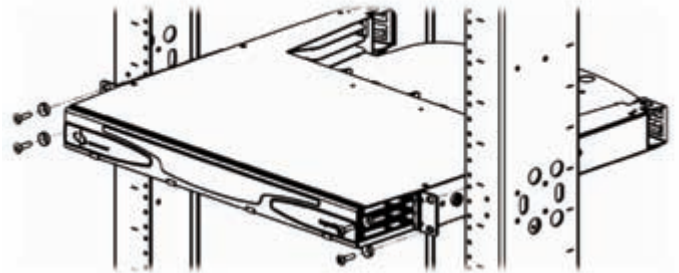
PATENT PENDING



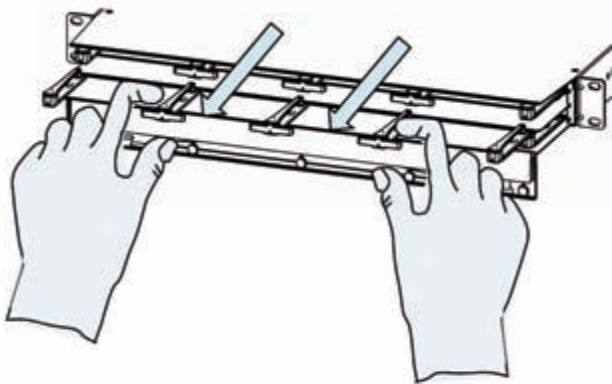
Tools



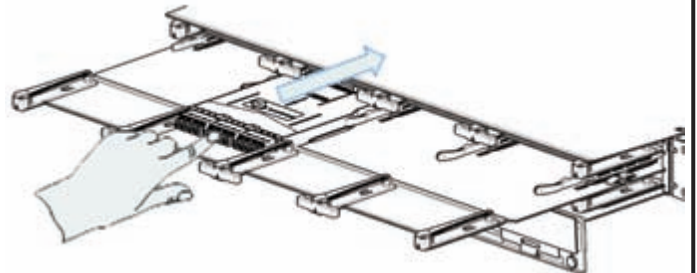
1



2

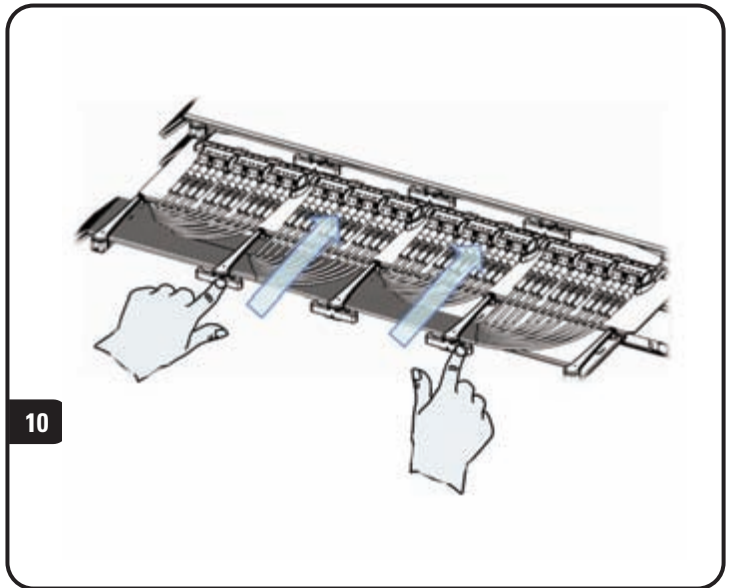
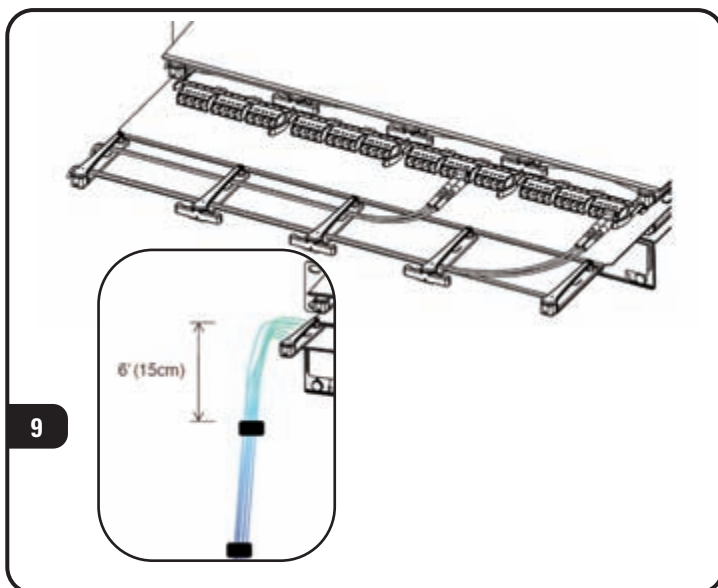
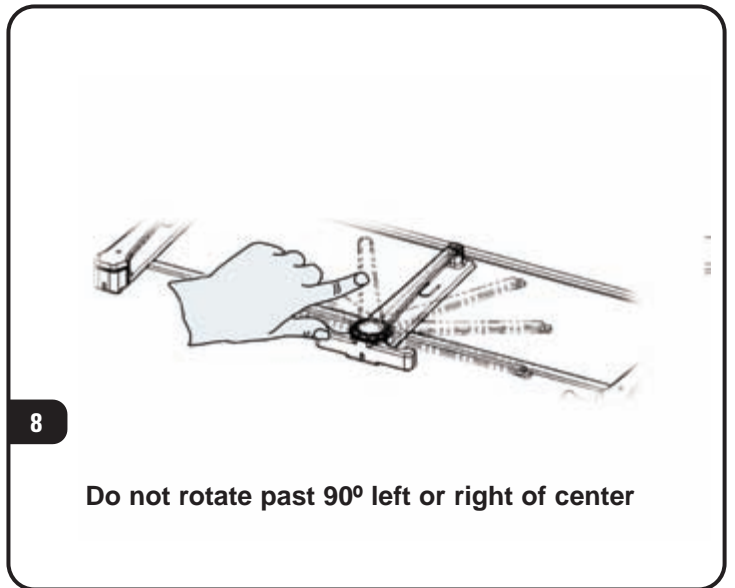
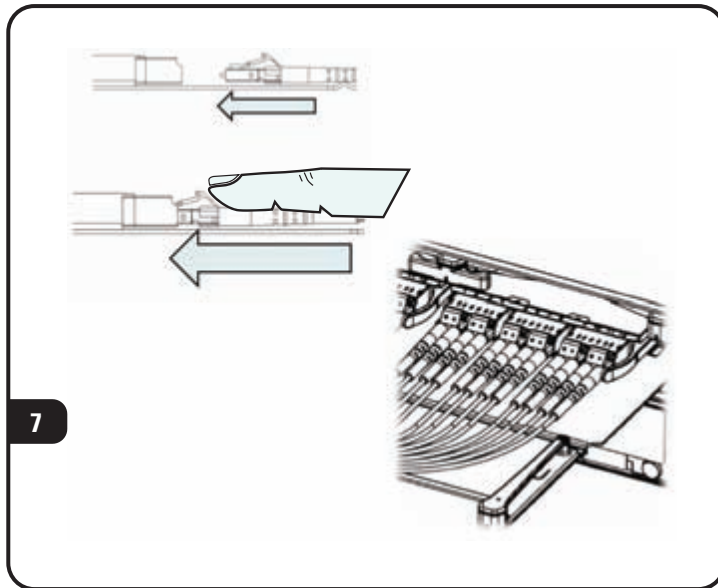
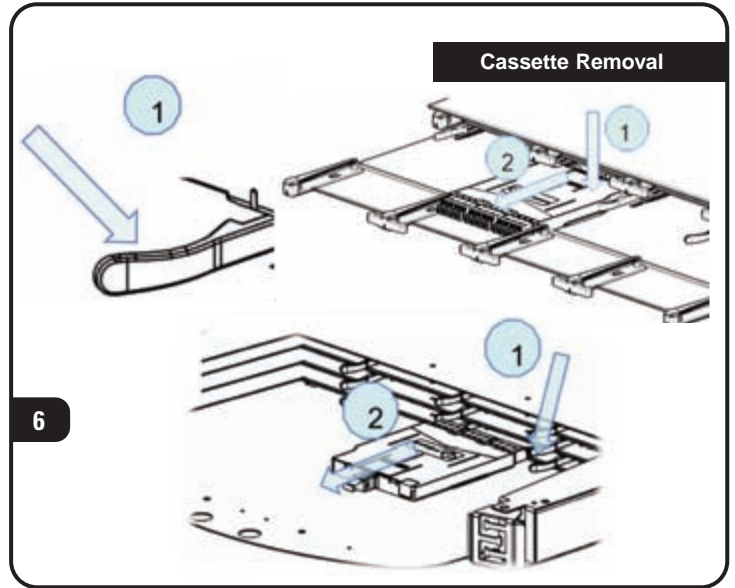
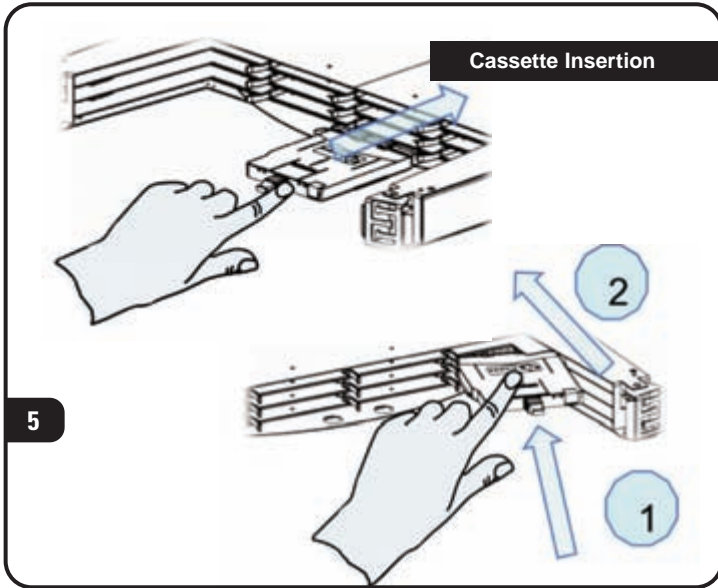


3



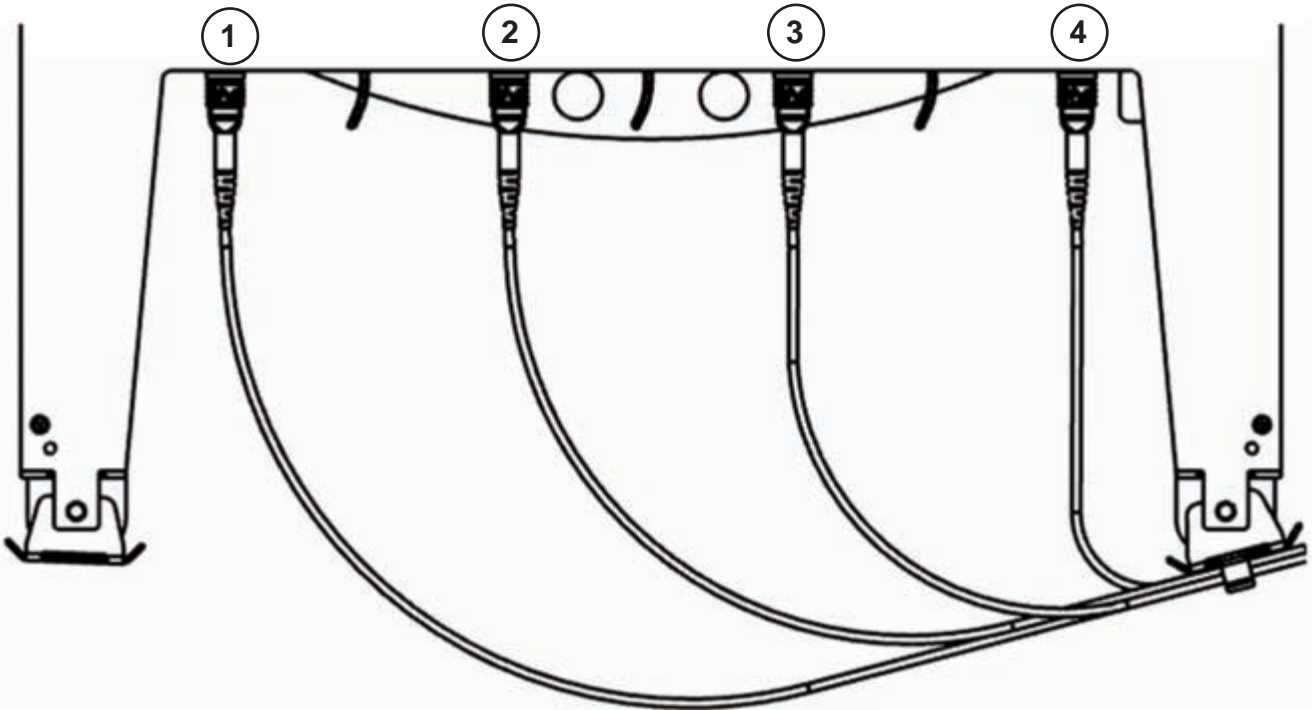
4

LightStack™ Ultra High Density Plug & Play System



LightStack™ Ultra High Density Plug & Play System

- 1. Leg farthest from Tie down bracket 21.25" (54cm)
- 2. Leg 2nd farthest from Tie down bracket 18" (46cm)
- 3. Leg 3rd farthest from Tie down bracket 14.5" (37cm)
- 4. Leg 4th farthest from Tie down bracket 13.75" (35cm)

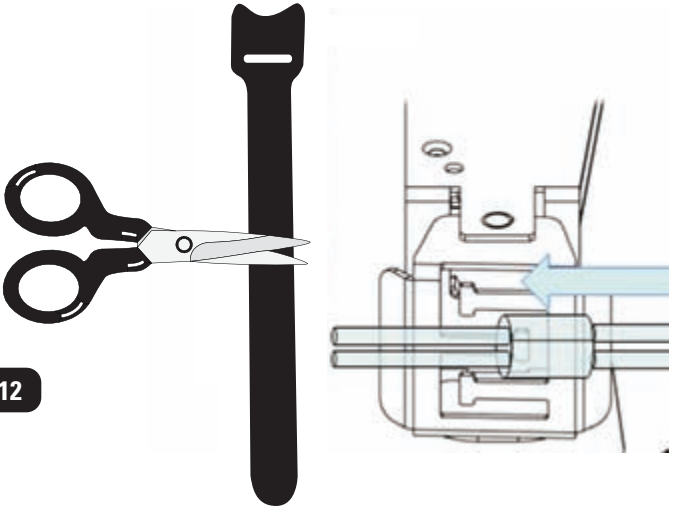


Leg length should be measured from end of connector down cable. Cable should be measured straight

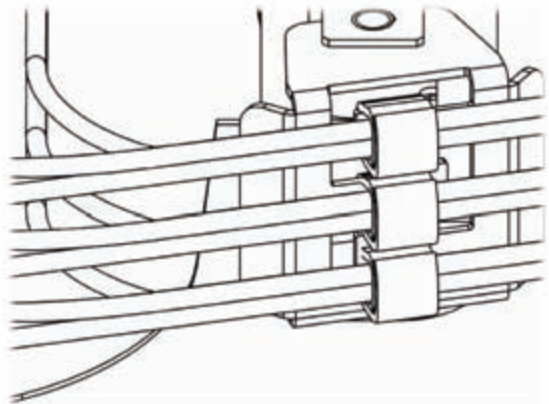
11



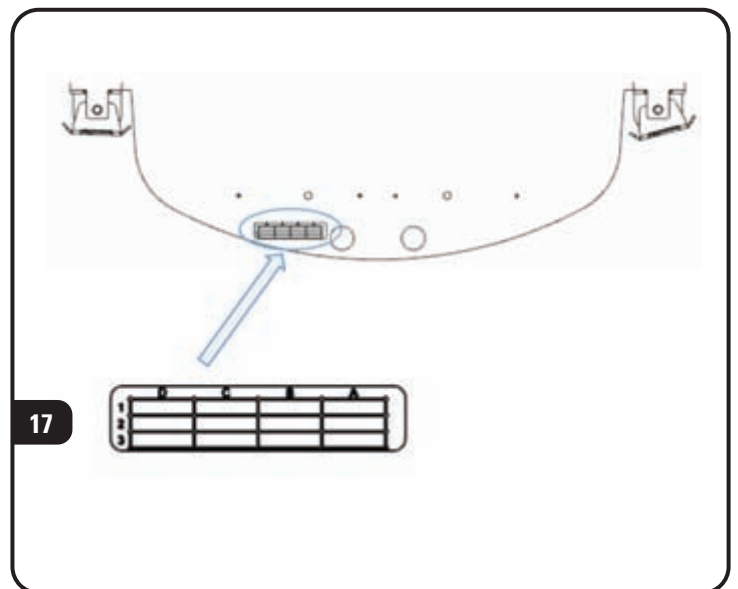
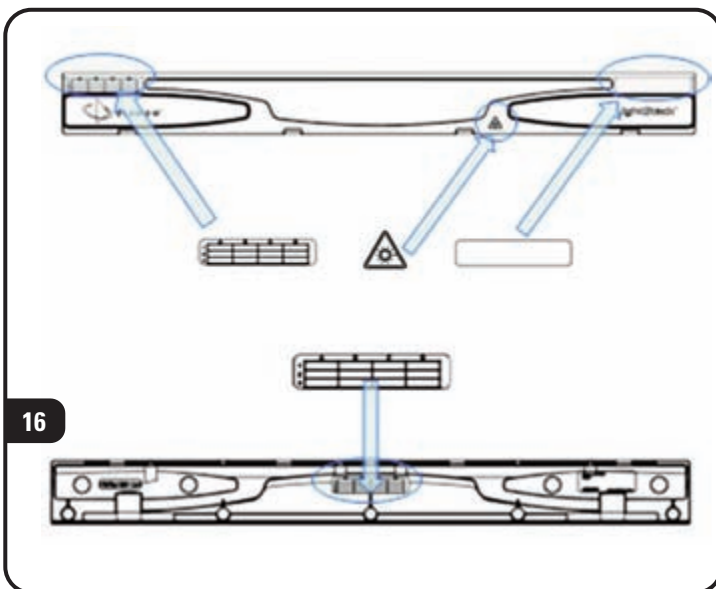
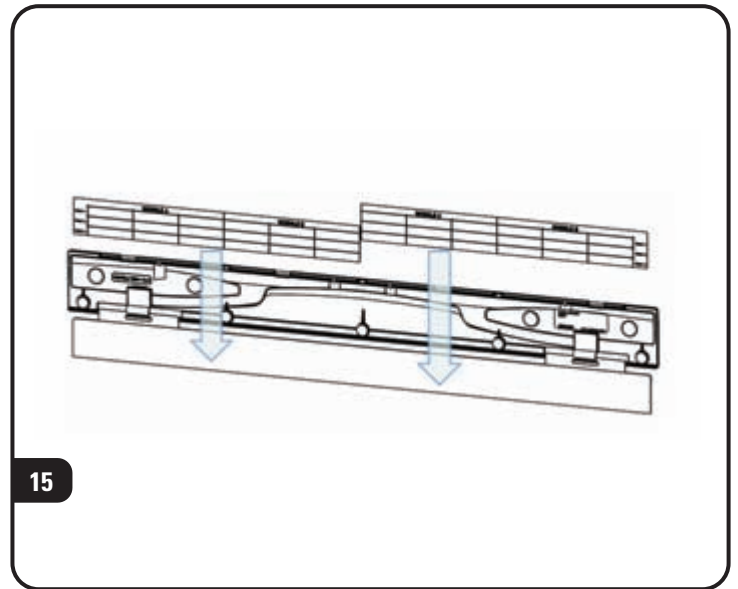
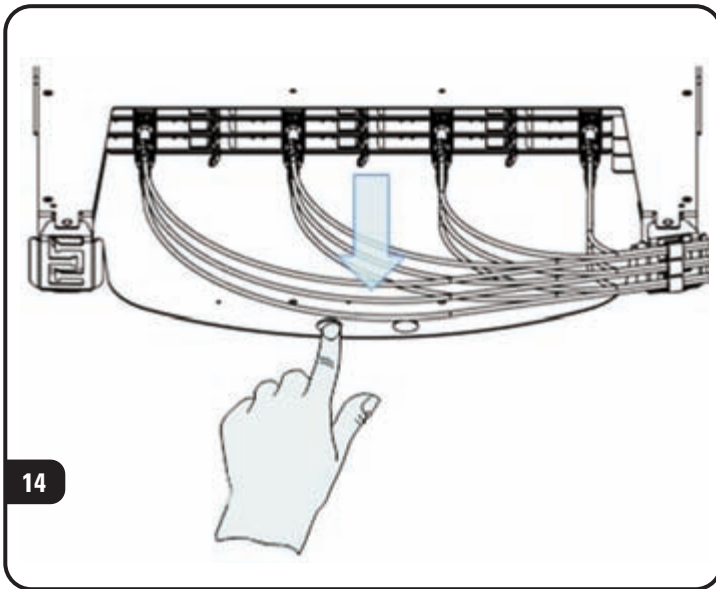
12



13



LightStack™ Ultra High Density Plug & Play System



To assist safe installations, comply with the following:

- A. Use caution when installing or modifying telecommunications circuits.
- B. Never touch uninsulated wire terminals unless the circuit has been disconnected.
- C. Never install this device in a wet location.
- D. Never install wiring during a lightning storm.

Global Headquarters
 Watertown, Connecticut USA
 Tel: (1) 866-548-5814
 For a complete listing of our global offices visit our web site