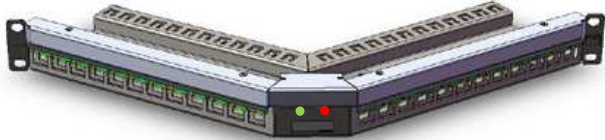


MapIT® G2 SPPA Upgrade Instructions

MapIT G2 Ready Panel



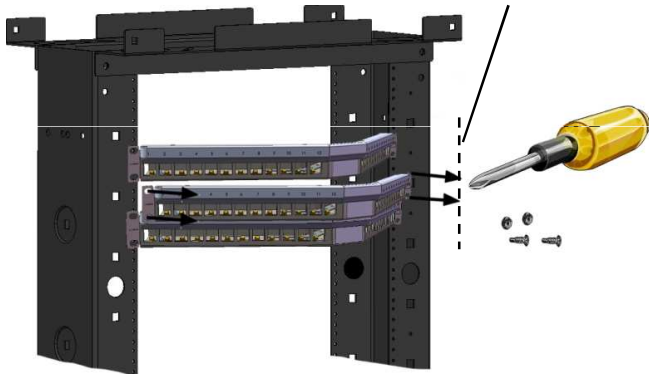
MapIT G2 Smart Panel

Upgrade Kit
M-SPPA-PCBA-24

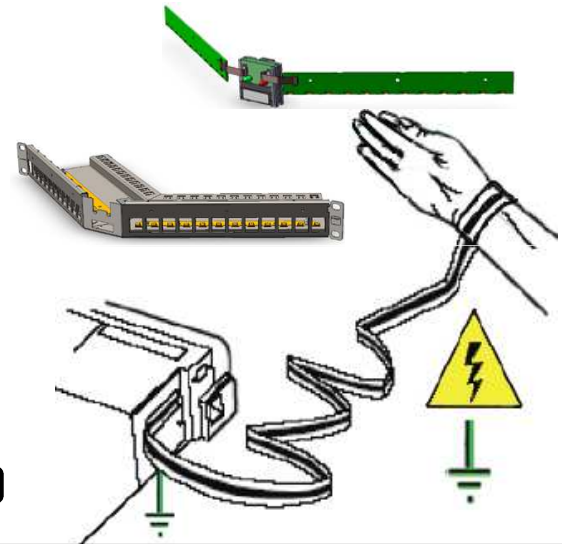


Tools

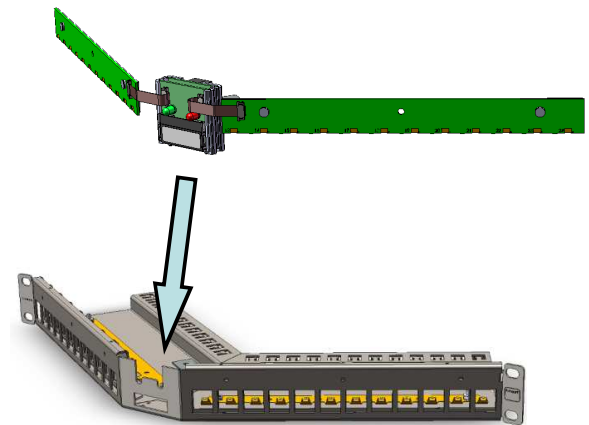
If panel is terminated with cable, partially detach from rack - pull out ~ 3-4 in. (75-100mm) to access cover screws.



1

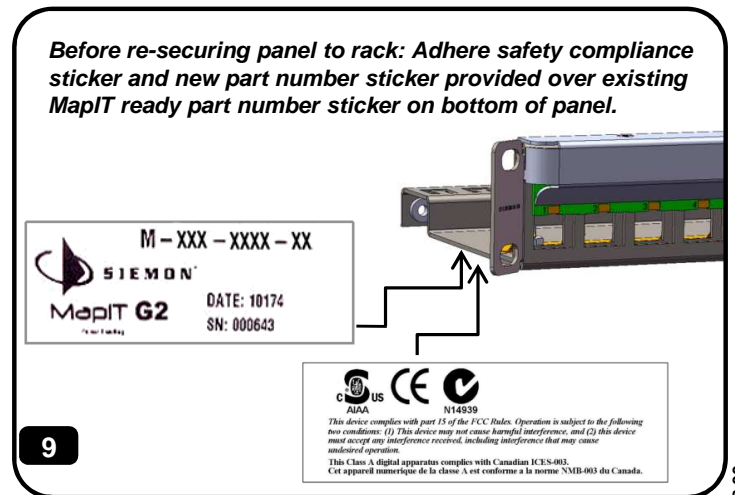
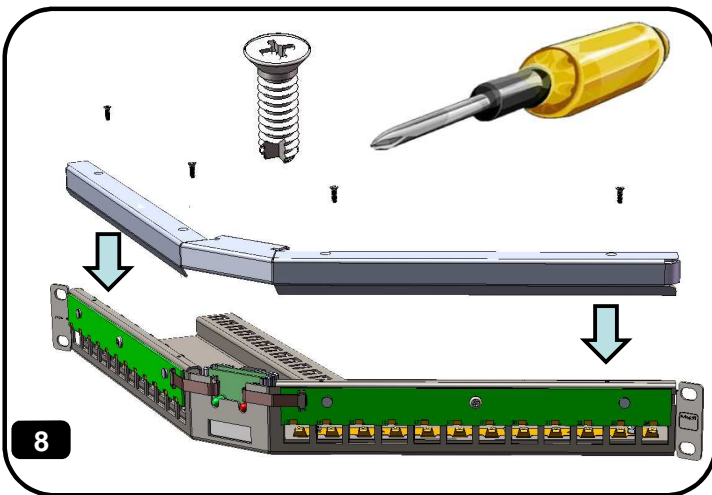
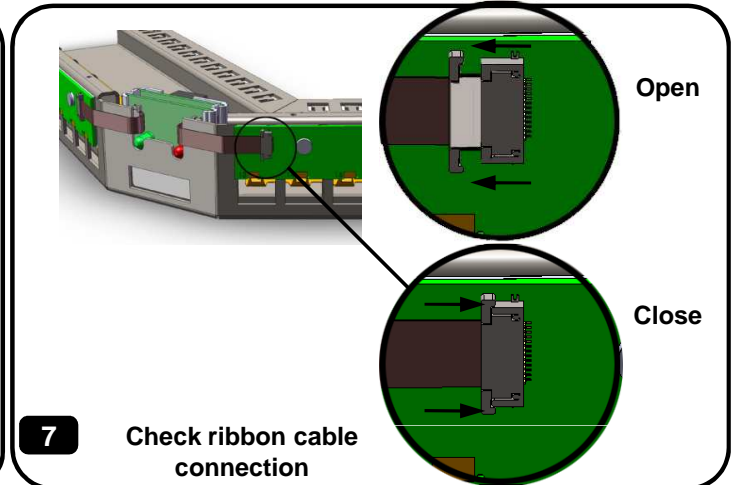
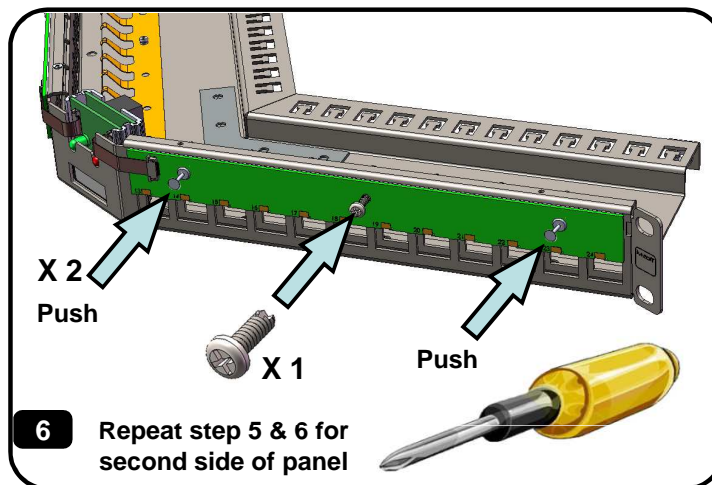
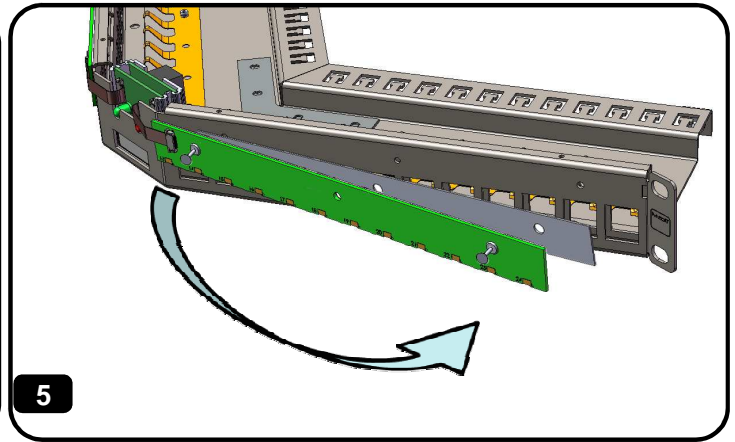
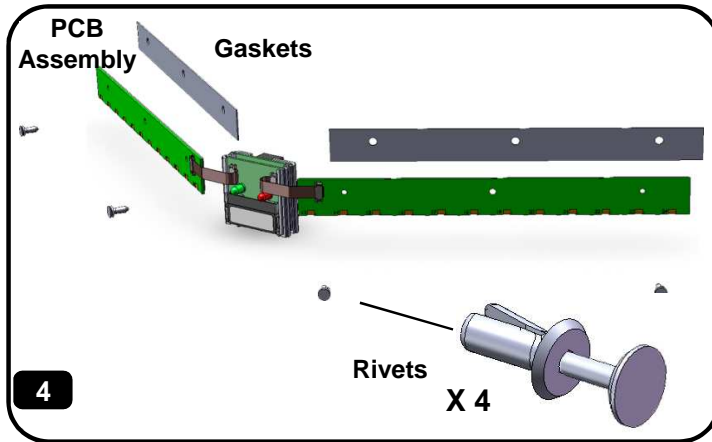


2



3

MapIT® G2 SPPA Upgrade Instructions



Comply with the following for safe installations:

- Use caution when installing or modifying telecommunications circuits.
- Never touch uninsulated wire terminals unless the circuit has been disconnected.
- Never install this device in a wet location.
- Never install wiring during a lightning storm.
- Wear grounding strap to prevent static discharge

To ensure you have the latest revision to this document, please visit:

www.siemon.com/us/download/installation.asp#mapit

For additional setup and control cable connections, click on pdf:
MapIT G2 Control Panel to SPPA:

Global Headquarters
Watertown, Connecticut USA
Tel: (1) 866-548-5814



For a complete listing of our global offices visit our web site

www.siemon.com